

Staal architectural luminaire



EN Luminaire inspired by "bunches of reeds" hovering over the water surface. With a high power LED, the 25mm tube can be tilted and inserted or removed from the ceiling to direct the beam of light and create the desired artistic composition. Different configuration of luminaires creates a attractive look with a spotting ambience around the area.

IT Apparecchio ispirato ai "mazzi di canne" che volteggiano sulla superficie dell'acqua. Con un LED ad alta potenza, il tubo da 25 mm può essere inclinato e inserito o rimosso dal soffitto per dirigere il fascio di luce e creare la composizione artistica desiderata. La diversa configurazione degli apparecchi crea un aspetto attraente con un'atmosfera di avvistamento intorno all'area.

DE Armatur geinspireerd op "trossen riet" die boven het wateroppervlak zweven. Met een krachtige LED kan de buis van 25 mm worden gekanteld en van het plafond worden gestoken of verwijderd om de lichtstraal te richten en de gewenste artistieke compositie te creëren. Verschillende configuraties van armaturen zorgen voor een aantrekkelijke uitstraling met een spottende ambience in de omgeving.

Staal architectural luminaire



Easy customizable color options

The luminaire is considered as ambience architectural mode, can be easily ordered in RAL colour variants possible .

1 Optical Lens

- For variety of controlled beams
- Soft light technology
- High density poly-carbonate

2 ZESS LED-module

- High power LED: warm white (3000K) or neutral white (4000K)

3 Trimless Holder

- Slip-fit screw less design
- aluminum construction

4 Slide Mechanism

- Soft-slide screw less
- Silicon, Aluminum

5 Control gear

- Switchable / Phase Dimmable / DALI

6 Body

- Pure-Aluminum body
- Dual layer polyester powder coat
- Dial : Poly carbonate with paint

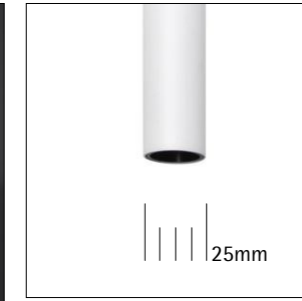
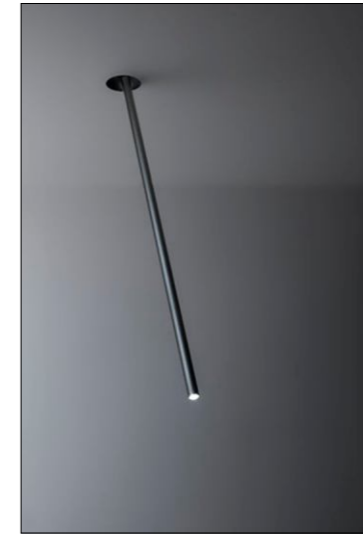
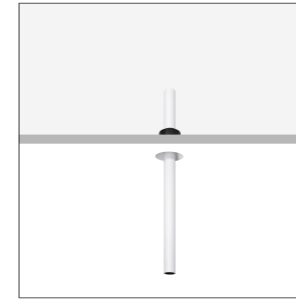
Protection mode IP30

Dust Resistant

Variants on request

- High-power LEDs: 3000K CRI 97 or 2700K, 3500K, 4000K with CRI 92
 - Housing: 10,000 further colours
- Please contact your ZESS consultant.

Staal architectural luminaire



Sleek construction size
The sleek and clean look of staal make it's a eye catching and unique luminaire for architects.



Excellent visual comfort



Tool free installation



Switchable



Cut-off 30°



Different light distributions



Phase dimmable



Different light colours



Pivotable + Titable 18°



DALI dimmable



Mid-power LEDs



EMC Optimised

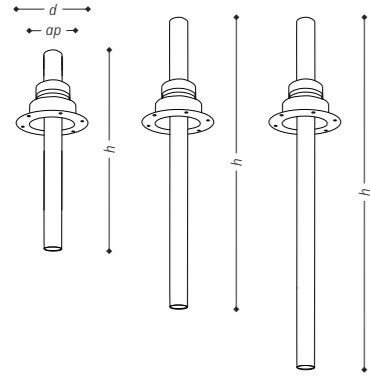


Efficient lens design

Staal architectural luminaire

Series Série	Model No. Modèle n°	Lamp Lamp	Power Watt	Lumen Lumen @3000k	Beam Faisceau			Dimension Dimension				Weight Poids
					S	M	W	d	h	t	ap	
Staal 30	71230	1 x LED	04	297	15°	20°	30°	105	300	38	75	0.90 k.g.
Staal 60	71260	1 x LED	04	297	15°	20°	30°	105	600	38	75	0.90 k.g.
Staal 90	71290	1 x LED	04	297	15°	20°	30°	105	900	38	75	0.90 k.g.

* For drive specification please refer respective datasheet.



Staal architectural luminaire

Product
Code construction
Costruzione del codice
Construction du code produit
Bau der Produkt-Code
Construcción del código de producto

Staal - 71260 - X, X, X, X,

Colour Temperature

Temperatura colore	1	2	3
Température couleur			
Temperaturabhängige Farbe	2700K	3000K	4000K
Temperatura de color	CRI 85	CRI 90	CRI 85

Beam angle

Apertura di fascio	1	2	3
Angle de faisceau	15°	20°	30°
Strahlwinkel			
Angulo del haz			

Housing colour

Colore alloggiamento	1	2	3
Couleur du boîtier			
Gehäusefarbe	White	Black	Gold
Color de la carcasa	Bianco	Nero	Oro
	Weiß	Schwarz	
	Blanco	Negro	

Control Mode

Modalità di controllo	1	2	3
Mode de contrôle	Switch	DALI	Phase
Steuermodus			
Acabados			